

AC-31 ALUMINUM CANAL GATE

SIZES 12" - 84"

- A SUPERBLY ENGINEERED GATE EXPRESSLY SUITABLE FOR CORROSION-RESISTANT, RUST PROOF DEMANDS.
- RUGGED, HEAVY DUTY CONSTRUCTION - YET LIGHTWEIGHT AND EASY TO INSTALL.
- ALUMINUM GATE ELIMINATES ELECTROLYSIS USUALLY FOUND IN CAST IRON GATE TO ALUMINUM PIPE CONNECTIONS.
- MINIMAL LEAKAGE - TIGHT CLOSURE
- SPECIFY:
 - AC-31sb... for corrugated metal pipe mounting
 - AC-31-4... for PVC pipe
 - AC-31f... for wall mounting
 - AC-31ff... for flange or thimble mounting
 - AC-31-6... for HDPE pipe

FEATURES:

SEATING HEADS TO 30 FEET

UNSEATING HEADS TO 20 FEET

TAPERED SLIDE:

Provides wedge-type seating and low friction opening.

NEOPRENE J-BULB SEAL:

Virtual leakproof closure. Easily replaceable.

STAINLESS STEEL STEM & HARDWARE

BRONZE LIFT NUT

GUIDE INSERTS:

Reduced slide friction. Ultra high molecular weight (UHMW) polyethylene, dovetailed.

Back View
Showing Spigot
and Neoprene Seal



AC-31sb
FRONT VIEW



AC-31 Flatback
w/Torque Tube
(Rising Stem
Extension)

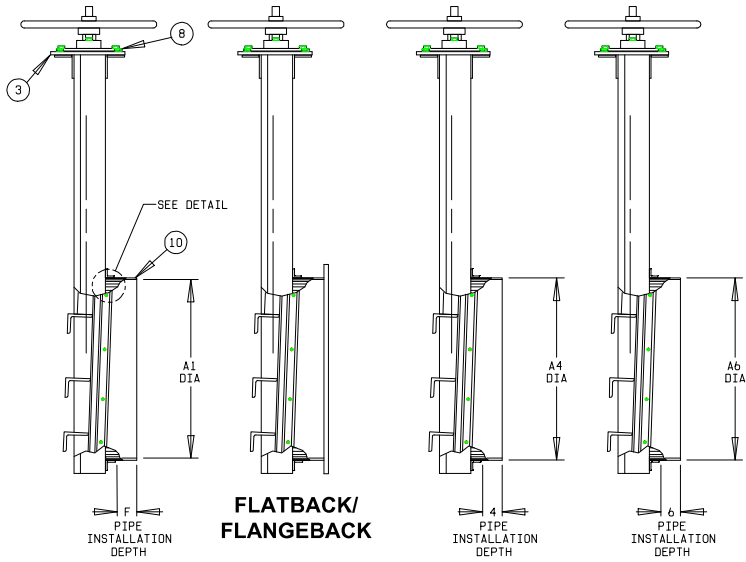
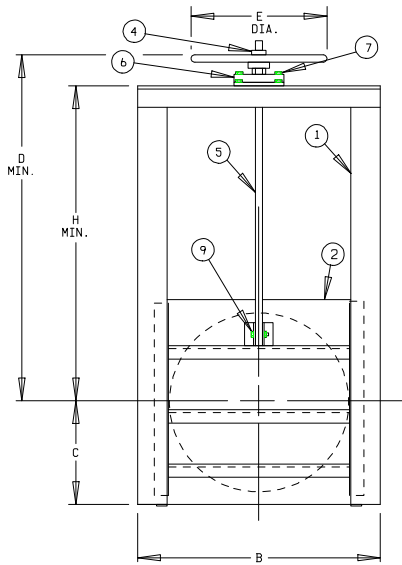
AC-31-6
(shown with HDPE
pipe attached)



Recommended Maximum Seating Heads*

- 8" - 30" 30 Feet
- 36" - 42" 20 Feet
- 48" - 60" 15 Feet
- 66" - 84" 10 Feet

AC-31 ALUMINUM CANAL GATE

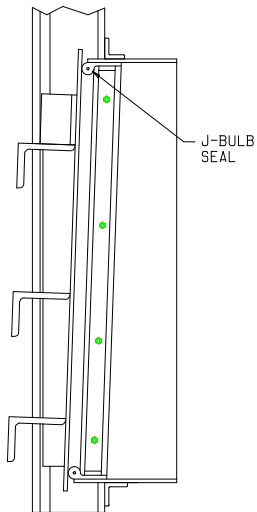


SPIGOTBACK

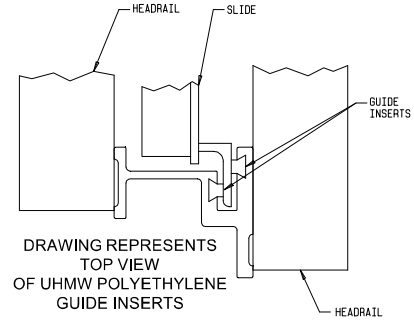
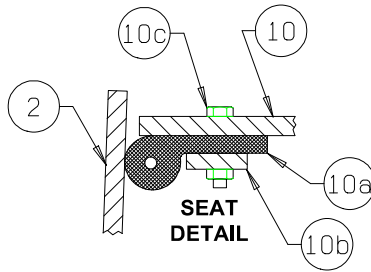
**FLATBACK/
FLANGEBACK**

TYPE 4

TYPE 6



DRAWING REPRESENTS SIDE VIEW OF TAPERED SLIDE AGAINST J-BULB SEATING



PARTS LIST		
No.	Name	Qty.
1	Frame (Aluminum, extruded)	1
2	Cover (Aluminum plate)	1
3	Top Plate (Aluminum)	1
4	Handwheel	1
5	Stem (Stainless steel, threaded)	1
6	Lift Housing and Nut	1
7	Lift Housing Hardware (Stainless steel)	2
8	Top Plate Hardware (Stainless steel)	4
9	Stem to Cover Attaching Hardware (Stainless steel)	1
10	Aluminum Spigot	1
10a	J-Bulb Seat Ring (Neoprene Rubber)	1
10b	Retainer Ring (Aluminum)	1
10c	Mounting Hardware (Stainless steel)	A/R

AC-31 ALUMINUM CANAL GATE									
DIMENSION IN INCHES									
GATE SIZE (DIA)	A1 I.D.	A4 O.D.	A6 O.D.	B	C	D*	E**	F	H
12	13 ¹ / ₈	11 ⁷ / ₈	11 ¹⁵ / ₁₆	21	8	26	10	4 ¹ / ₄	22
15	16 ³ / ₈	14 ³ / ₄	14 ⁷ / ₈	25	9 ¹ / ₂	32 ¹ / ₂	10	4 ¹ / ₄	28 ¹ / ₂
18	19 ¹ / ₈	17 ³ / ₄	17 ⁷ / ₈	28	11	37 ¹ / ₂	12	4 ¹ / ₄	33 ¹ / ₂
24	25 ¹ / ₈		24	34	14	46 ¹ / ₂	12	4 ¹ / ₄	42 ¹ / ₂
30	31 ¹ / ₈		30	40	18	58 ¹ / ₂	15	4 ¹ / ₄	54 ¹ / ₂
36	37 ¹ / ₈			46	21	67 ¹ / ₂	15	4 ¹ / ₄	63 ¹ / ₂
42	43 ¹ / ₈								72 ¹ / ₂
48	49 ¹ / ₈			57 ⁷ / ₈	28 ¹ / ₂	93*	15R**	5	87
54	55 ¹ / ₈			63 ⁷ / ₈	31 ¹ / ₂	101*	15R**	6	95
60	61 ¹ / ₈			69 ⁷ / ₈	34 ¹ / ₂	114 ¹ / ₄ *	15R**	6	108
66	67 ¹ / ₈			75 ⁷ / ₈	37 ¹ / ₂	123 ¹ / ₄ *	15R**	6	117
72	73 ¹ / ₈			81 ⁷ / ₈	40 ¹ / ₂	132 ¹ / ₄ *	15R**	6	126
84	85 ¹ / ₈			94 ¹ / ₈	46 ¹ / ₂	152 ³ / ₄ *	15R**	7	146 ¹ / ₂

* Dimension from gate centerline to centerline of lift input shaft
 ** 15" Handcrank